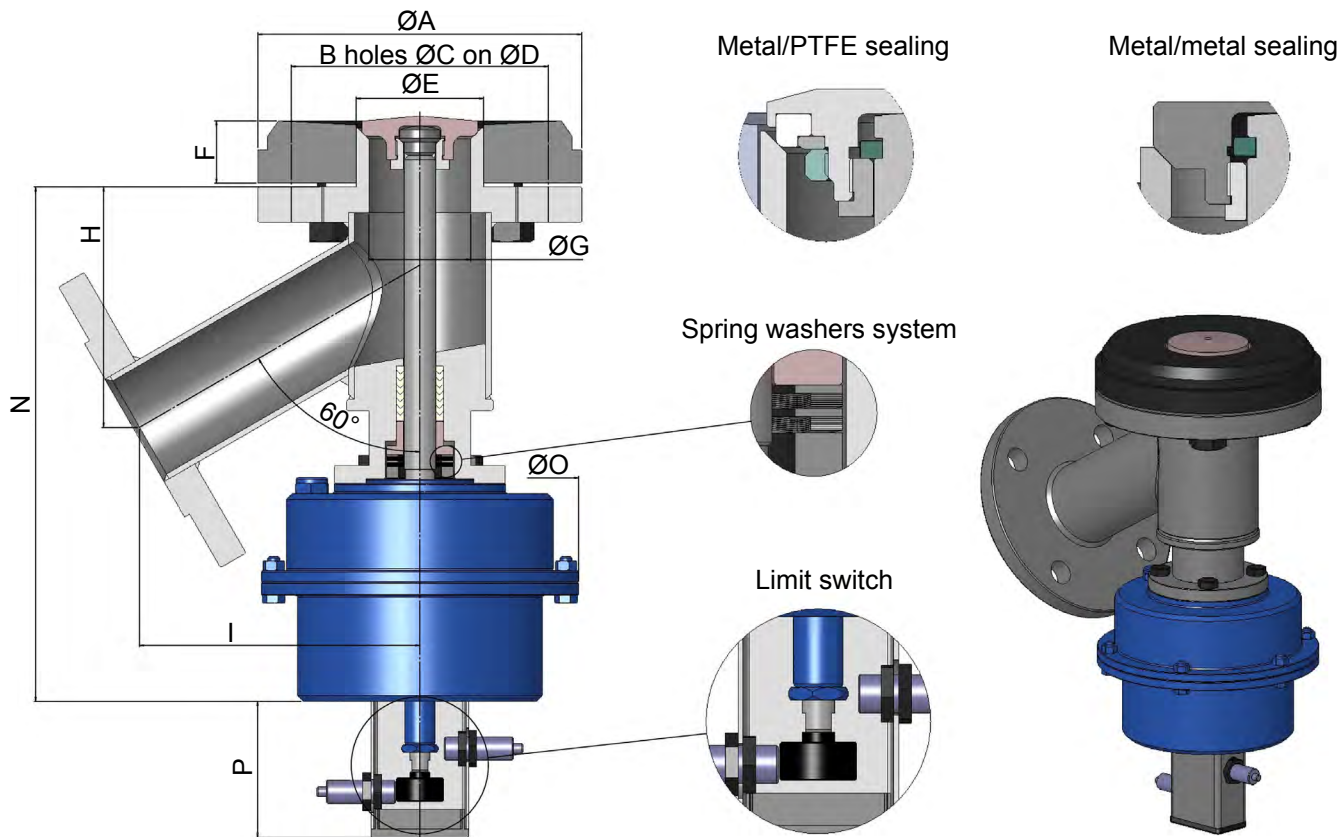


**TANK BOTTOM VALVE DN25 to DN100
- Type 4000 compact pneumatic -**

Description

- **Size** : DN25 to DN100.
- **Connection** : **Flange (PN10 - PN16 and PN20)**.
- **Discharge** : **60° outlet**, 75°, other on request.
- **Packing material** : PTFE, **25% glass PTFE rafter**, graphite, O-ring stuffing box.
- **Body seal material** : **25% glass PTFE**, graphite, spiral stainless steel/graphite.
- **Plug sealing** : **Metal/PTFE**, metal/metal, hard faced.
- **Wetted materials** : **1.4404 (316L)**, 1.4306 (304L), steel, nickel alloy (inconel, hastelloy, monel, nickel, zirconium...), 904L (uranus), 1.4571 (316Ti), titanium, tantalum.
- **Options** : Pneumatic (single or double acting) or electrical actuator, manual override, position indicator, mechanical limit switch, nitrogen insufflation / leakage detector in the stuffing box, cleaning nozzle.

Note: bold, standard parameters.

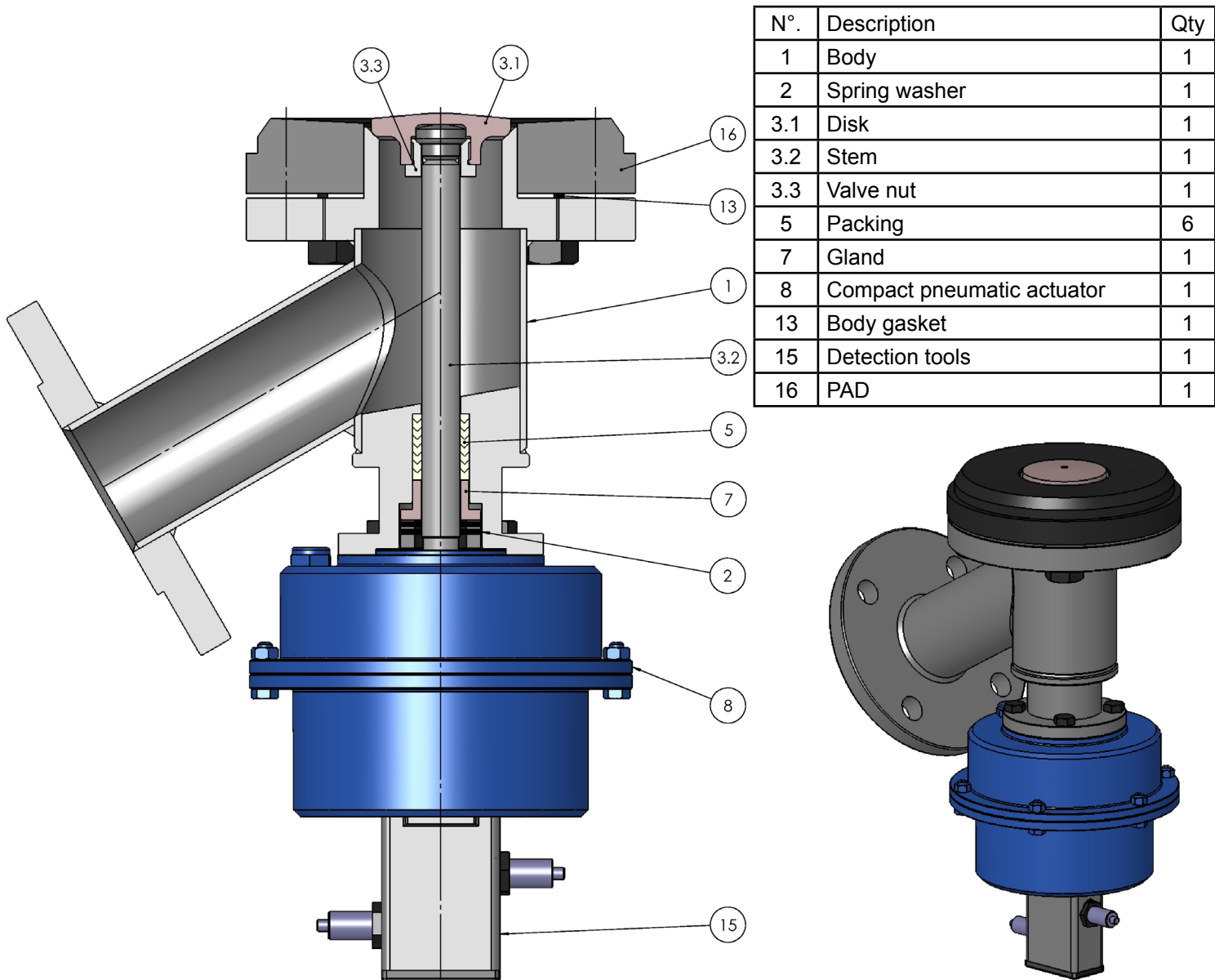


	A	B x ØC	D	E	F	G	H	I	N	O	P
DN 25	115	4 x Ø14	85	40	30	30	115	120	250	165	70
DN 32	140	4 x Ø18	100	52	30	40	115	140	250	165	70
DN 40	150	4 x Ø18	110	52	30	42	125	140	270	165	70
DN 50	165	4 x Ø18	125	65	32	52	125	150	270	165	70
DN 65	185	8 x Ø18	145	82	32	65	150	155	320	222	90
DN 80	200	8 x Ø18	160	95	32	83	165	165	350	222	90
DN 100	220	8 x Ø18	180	122	32	110	175	165	390	222	90

All other manufacturing are available on request

Non-contractual document

TANK BOTTOM VALVE DN25 to DN100 - Type 4000 compact pneumatic -



Find out more about our tank bottom valves:
<http://www.bom.fr/en/tank-bottom-valve>



Exonder S.r.l.

Via Torre, 2 - 28040 Borgo Ticino (NO) - Italy
 +39 0321 908466
customer@exonder.it
<https://www.exonder.it>

All other manufacturing are available on request